

Nitrogen Generators



Produce nitrogen gas from compressed air simply and cost effectively. Replace nitrogen gas cylinders for the following applications:

- LCMS (single and multiple units)
- ICP
- ELSD
- GC-carrier gas
- GC-FID, NPD, ECD, AED
- Solvent evaporation

Benefits

- **Designed to meet specific analytical instrument gas purity and flow requirements**
- **Improved analytical performance** - Production of a constant flow of gas improves the consistency of the analysis results and hence reproducibility
- **Increased laboratory efficiency with a constant, guaranteed supply**
- **Improved safety** - No handling high-pressure gas cylinders or liquid dewars. Nitrogen production at controlled low pressures
- **Simple installation** - Only one set up operation required for reliable service over time. Installation on or below a laboratory bench top, saving space in the laboratory
- **Economy** - Quick return on investment - No gas cylinder rental bottles, no price inflation
- **Recommended by major instrument manufacturers**
- **Combined N₂ and Dry Air Generators** - In addition to the stand alone nitrogen, zero N₂ and dry air gas generators, domnick hunter also manufactures models that provide nitrogen and dry air from a single unit (models G6 and G7).

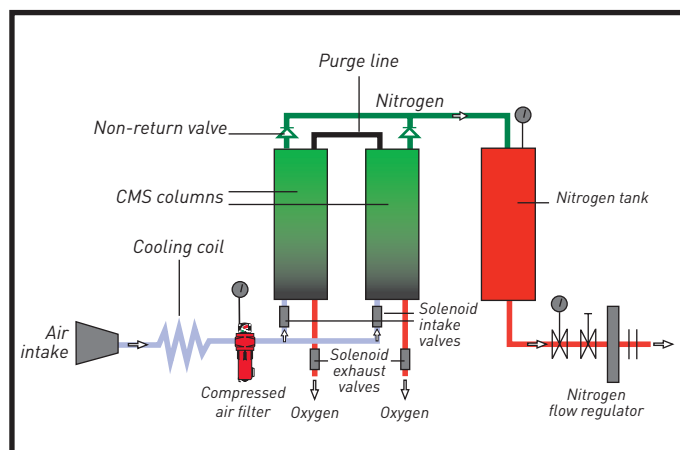


Technical Features

Principle: passage of compressed air through a bed of carbon molecular sieve (CMS) using pressure swing adsorption technology, the most reliable on the market

- N₂ flow: 550 cc/min to 30L/min (for larger capacities please consult domnick hunter)
- O₂ purity: 3% to 10 ppm
- On-line purity monitoring capability
- Digital hours counter
Audible and visual maintenance indicator
- Economy mode option: Enables the compressor to switch off when nitrogen supply is not required
- Oil-free air compressor available: The quietest models available
- Available with or without built-in air compressor
- Quick and easy servicing: less than 10 minutes every 6 months
- A 25L/min version is also available

How the generator works



The technology used to produce a continuous flow of high purity N_2 is pressure swing adsorption (PSA).

This technology uses a combination of molecular sieves to selectively eliminate O_2 and other contaminants in the ambient air.

The CMS column(s) alternate between the purification and regeneration modes to ensure continuous N_2 production.

The gas generator is designed to take pre-filtered compressed air at 7 or 8.5 barg (102 or 123 psi g) (depending on model) from the existing laboratory supply or via the integrated oil-free compressor.

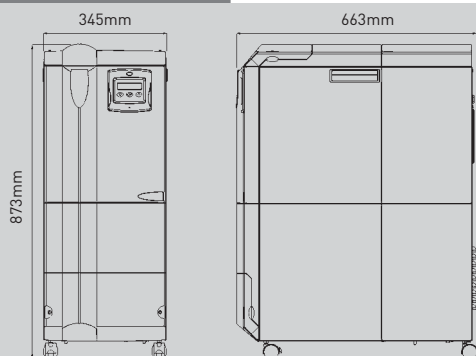
This flow of filtered compressed air then passes through the CMS column which is in the purification mode. At this point, the O_2 , CO_2 , humidity and hydrocarbons are eliminated from the compressed air, producing a flow of clean and dry high purity nitrogen.

For zero N_2 generators, a heated catalyst oxidises additional hydrocarbons from the N_2 gas flow providing zero grade N_2 with a remaining hydrocarbon content of <0.1 ppm

Weights

Model	without compressor (Kg)	with compressor (Kg)
G2 / G4	77	90
G3	71	83

Dimensions



Models G2 - G4

Contact us:

Speck & Burke Analytical
Alva Industrial Estate
Alva
FK12 5DQ
Tel: 01259 222600
Fax: 01259 222618
email: support@speckanalytical.co.uk

Selectable Purity Nitrogen Generator Selection Guide:

Model	Part Number
N2 generator 2.5 l/min @ 5 barg oxygen content 100 ppm without Compressor	SA75-G3-0-0-0-E
N2 generator 2.5 l/min @ 5 barg oxygen content 100 ppm without Compressor with Economy Mode	SA75-G3-0-0-1-E
N2 generator 2.5 l/min @ 5 barg oxygen content 100 ppm complete with Compressor	SA75-G3-0-1-0-E
N2 generator 2.5 l/min @ 5 barg oxygen content 100 ppm complete with Compressor, with Economy Mode	SA75-G3-0-1-1-E
N2 generator 4 l/min @ 5 barg oxygen content 0.1% without Compressor	SA75-G3-1-0-0-E
N2 generator 4 l/min @ 5 barg oxygen content 0.1% without Compressor with Economy Mode	SA75-G3-1-0-1-E
N2 generator 4 l/min @ 5 barg oxygen content 0.1% with Compressor	SA75-G3-1-1-0-E
N2 generator 4 l/min @ 5 barg oxygen content 0.1% with Compressor with Economy Mode	SA75-G3-1-1-1-E
N2 generator 5 l/min @ 5 barg oxygen content 0.5% without Compressor	SA75-G3-2-0-0-E
N2 generator 5 l/min @ 5 barg oxygen content 0.5% without Compressor with Economy Mode	SA75-G3-2-0-1-E
N2 generator 5 l/min @ 5 barg oxygen content 0.5% with Compressor	SA75-G3-2-1-0-E
N2 generator 5 l/min @ 5 barg oxygen content 0.5% with Compressor with Economy Mode	SA75-G3-2-1-1-E
N2 generator 7 l/min @ 5 barg oxygen content 1 % without Compressor	SA75-G3-3-0-0-E
N2 generator 7 l/min @ 5 barg oxygen content 1% without Compressor with Economy Mode	SA75-G3-3-0-1-E
N2 generator 7 l/min @ 5 barg oxygen content 1% with Compressor	SA75-G3-3-1-0-E
N2 generator 7 l/min @ 5 barg oxygen content 1% with Compressor with Economy Mode	SA75-G3-3-1-1-E
N2 generator 9 l/min @ 5 barg oxygen content 2% without Compressor	SA75-G3-4-0-0-E
N2 generator 9 l/min @ 5 barg oxygen content 2% without Compressor with Economy Mode	SA75-G3-4-0-1-E
N2 generator 9 l/min @ 5 barg oxygen content 2% with Compressor	SA75-G3-4-1-0-E
N2 generator 9 l/min @ 5 barg oxygen content 2% with Compressor with Economy Mode	SA75-G3-4-1-1-E
N2 generator 5 l/min @ 5 barg oxygen content 100 ppm without Compressor	SA75-G4-0-0-0-E
N2 generator 5 l/min @ 5 barg oxygen content 100 ppm without Compressor with Economy Mode	SA75-G4-0-0-1-E

N2 generator 5 l/min @ 5 barg oxygen content 100 ppm complete with Compressor	SA75-G4-0-1-0-E
N2 generator 5 l/min @ 5 barg oxygen content 100 ppm complete with Compressor, with Economy Mode	SA75-G4-0-1-1-E
N2 generator 6 l/min @ 5 barg oxygen content 0.1% without Compressor	SA75-G4-1-0-0-E
N2 generator 6 l/min @ 5 barg oxygen content 0.1% without Compressor with Economy Mode	SA75-G4-1-0-1-E
N2 generator 6 l/min @ 5 barg oxygen content 0.1% with Compressor	SA75-G4-1-1-0-E
N2 generator 6 l/min @ 5 barg oxygen content 0.1% with Compressor with Economy Mode	SA75-G4-1-1-1-E
N2 generator 10 l/min @ 5 barg oxygen content 0.5% without Compressor	SA75-G4-2-0-0-E
N2 generator 10 l/min @ 5 barg oxygen content 0.5% without Compressor with Economy Mode	SA75-G4-2-0-1-E
N2 generator 10 l/min @ 5 barg oxygen content 0.5% with Compressor	SA75-G4-2-1-0-E
N2 generator 10 l/min @ 5 barg oxygen content 0.5% with Compressor with Economy Mode	SA75-G4-2-1-1-E
N2 generator 12.5 l/min @ 5 barg oxygen content 1 % without Compressor	SA75-G4-3-0-0-E
N2 generator 12.5 l/min @ 5 barg oxygen content 1% without Compressor with Economy Mode	SA75-G4-3-0-1-E
N2 generator 12.5 l/min @ 5 barg oxygen content 1% with Compressor	SA75-G4-3-1-0-E
N2 generator 12.5 l/min @ 5 barg oxygen content 1% with Compressor with Economy Mode	SA75-G4-3-1-1-E
N2 generator 14 l/min @ 5 barg oxygen content 2% without Compressor	SA75-G4-4-0-0-E
N2 generator 14 l/min @ 5 barg oxygen content 2% without Compressor with Economy Mode	SA75-G4-4-0-1-E
N2 generator 14 l/min @ 5 barg oxygen content 2% with Compressor	SA75-G4-4-1-0-E